

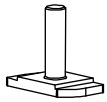
ROLA

LOW MOUNT KIT

Uneek 4x4 Adventure Rack

LRS031-FI
Revision A, July 2022

PACK CONTENTS & FITTING INSTRUCTIONS



M8 DROP-&-TURN BOLT (22-0924)
x4



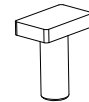
M8 FLAT WASHER (22-0195)
x4



M8 SPRING WASHER (22-0162)
x4



M8 HEX NUT (22-0139)
x4



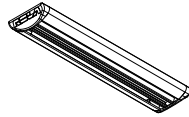
M8 T BOLT 22-0961
x4



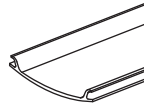
M8 NYLOC NUT (22-0457)
x4



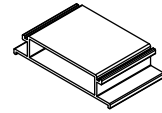
M8 LARGE FLAT WASHER (22-0186)
x4



LOW MOUNT WITH END CAPS
x4 (25-0310 - 2 pack)
Each Low Mount contains two end caps



UNDER-COVER STRIP (32-0050)
x2



INTERCONNECTING BLOCK (25-0312)
x3 for TFT1212, TFT1512 & TFT1812
x4 for TFT 2014

NOTE: Fasteners supplied with Titan Tray are required for this fitment.

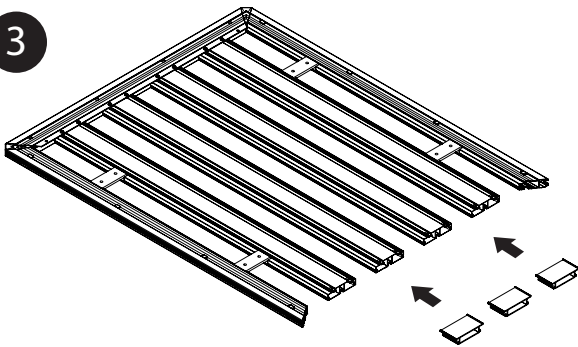
1

Read instructions thoroughly before commencing installation.

Refer to Titan Tray instructions for tray assembly.

Skip to Step 5 on the following page if you have already inserted the interconnecting blocks.

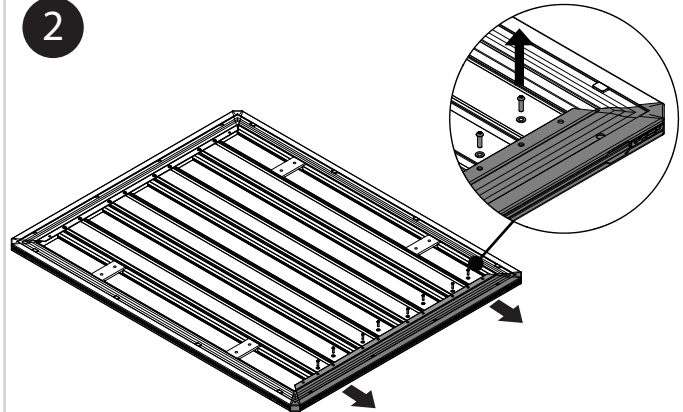
3



For TFT1212, TFT1512 & TFT1812:
Insert the three interconnecting blocks between the four centre planks.
Position interconnecting blocks in the centre of the tray.

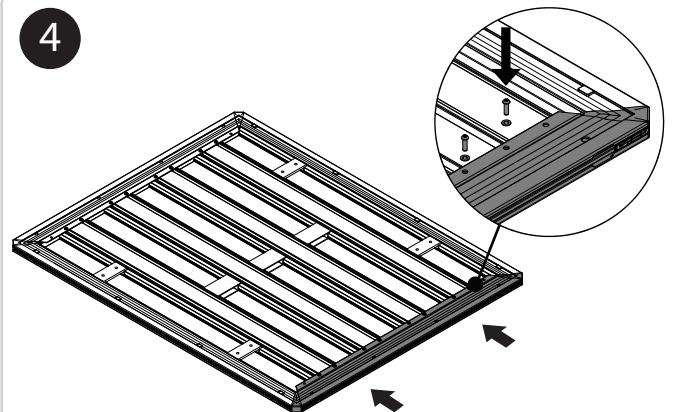
For TFT2014:
Insert the four interconnecting blocks between the five centre planks.
Position interconnecting blocks in the centre of the tray.

2



Place tray upside down. Remove fasteners on one side and remove the end plank.

4



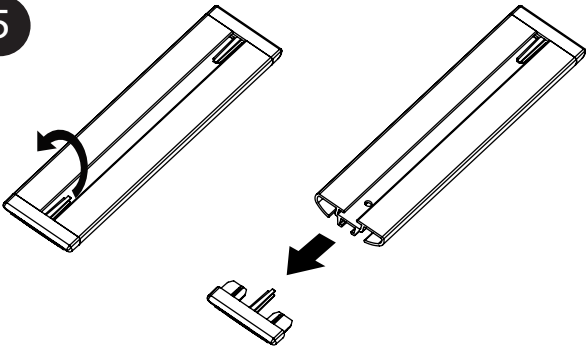
Re-install the end plank and fasteners.
Tighten fasteners securely.

LOW MOUNT

FITTING INSTRUCTIONS CONTINUED

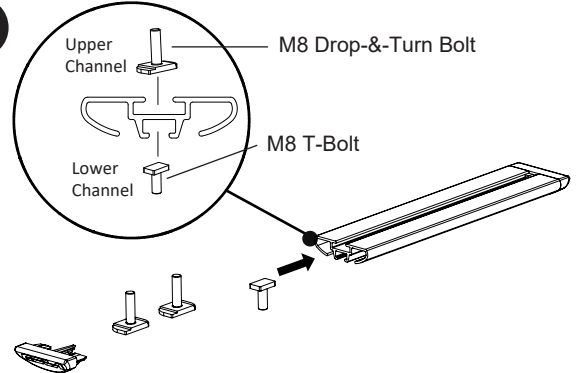
ROLA

5

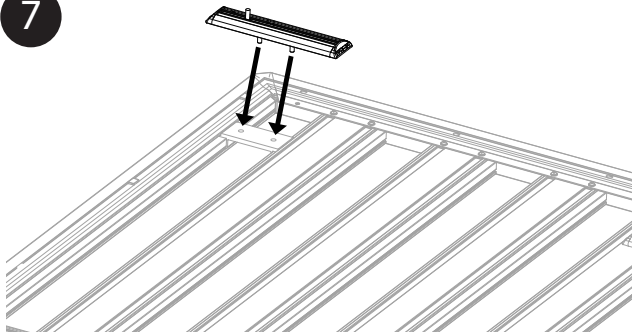


Unclip and remove one end cap from each of the Low Mounts.

6

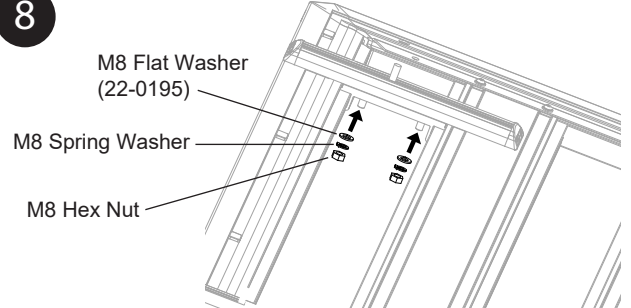


7



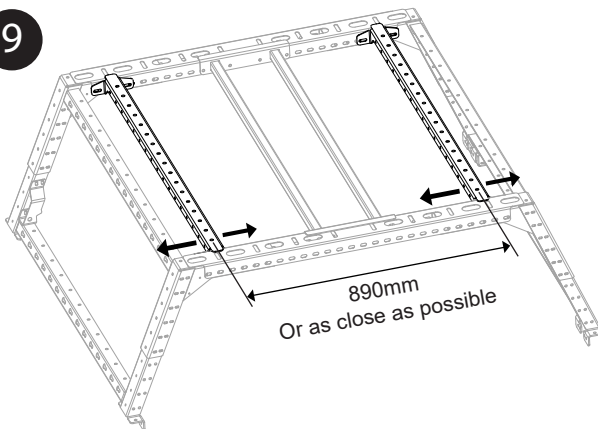
Tip: Work with tray upside down.

8



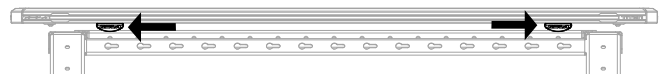
Thread fasteners on drop-&-turn bolts for all locations.
Tip: Leave loose to allow adjustment in next steps.

9



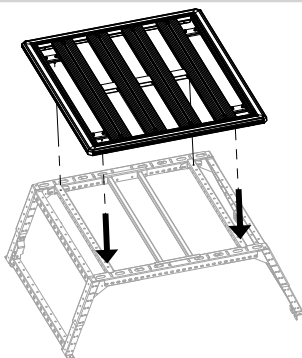
Adjust your Adventure Rack so the mounting braces locate underneath the Titan Tray mounting blocks, at about 890mm apart, or as close as possible.

10



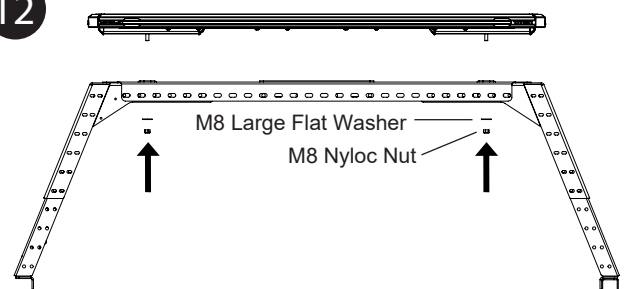
Adjust the position of the low mounts towards the ends of the Adventure Rack.

11



Lower the Titan tray on to the adventure rack, aligning the T bolts with the holes in the adventure rack

12

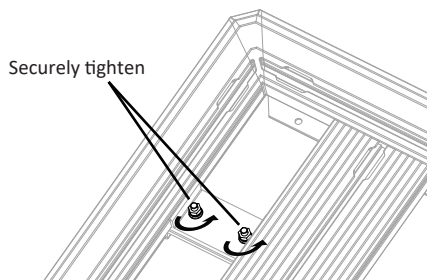


Install M8 Large washer and nyloc nut

LOW MOUNT FITTING INSTRUCTIONS CONTINUED

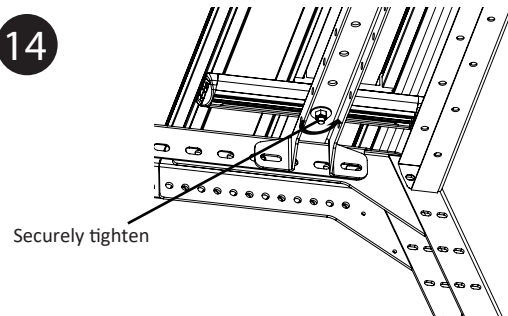
ROLA

13



Tighten the fasteners on the top of the tray to secure the Low Mounts in place.

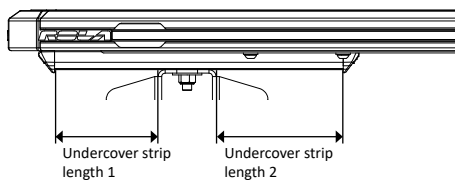
14



Tighten the fasteners to secure the low mount and tray to the adventure rack.

Tighten all remaining loose fasteners. Ensure all fasteners are secure.

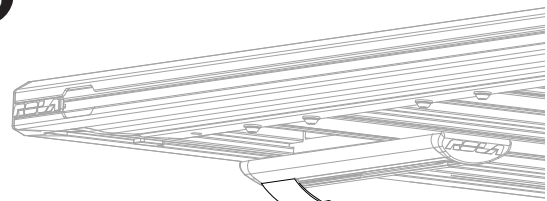
15



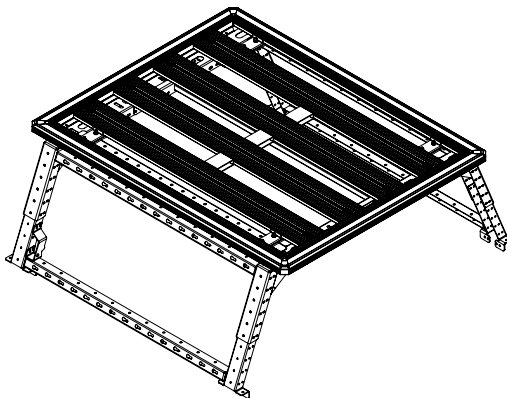
Cut the under-cover strip to the required lengths for each Low Mount.

Tip: Measure the distance between the mounting brace and the end cap while the tray is in the desired location on the adventure rack

16



Push under cover strip to clip it in place



Your Tray is now fitted to your adventure rack

USAGE INSTRUCTIONS

It is essential for the proper assembly, operation and use of the roof-rack that the instructions and safety precautions supplied are strictly observed. The maximum permissible load for your roof rack or tray is the lower of the maximum load capacity specified in your vehicle operation manual, or specified as applying to the roof-rack or tray. Do not exceed the maximum specified load capacity.

Maximum permissible load = weight of the roof-rack and tray + weight of accessories + weight of cargo load.

When fitting the roof-rack and transporting a load, ensure the vehicle's functions are not impaired (e.g. sunroof, aerials, windscreen wipers, mirrors). Hatch and wagon vehicles should be inspected for adequate clearance for full opening operation of the boot/tailgate.

Stop and check all screw connections, bolts and retaining straps after a short distance of travel. Repeat these checks at regular intervals.

WARNINGS

Remember that the fitting of a roof-rack and the transport of a load increases the overall height of the carrying vehicle.

Where the roof-rack is to be used in off-road conditions, a safety weight reduction of 1.5 should be observed from the total carrying capacity (e.g. 60kg becomes 40kg).

Requent will not be liable to the purchaser or any other person for any consequential, direct or indirect loss, damage or costs incurred or suffered by the purchaser or any other person including but not limited to damage to persons or property, loss of turnover, loss of profits, loss of business or goodwill arising from or in relation to the assembly or use of the roof-rack, or the non-observance of the fitting and care instructions.